

2

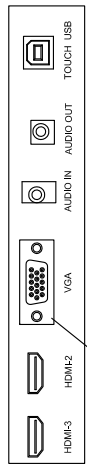
1

B

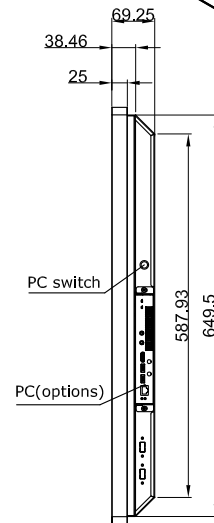
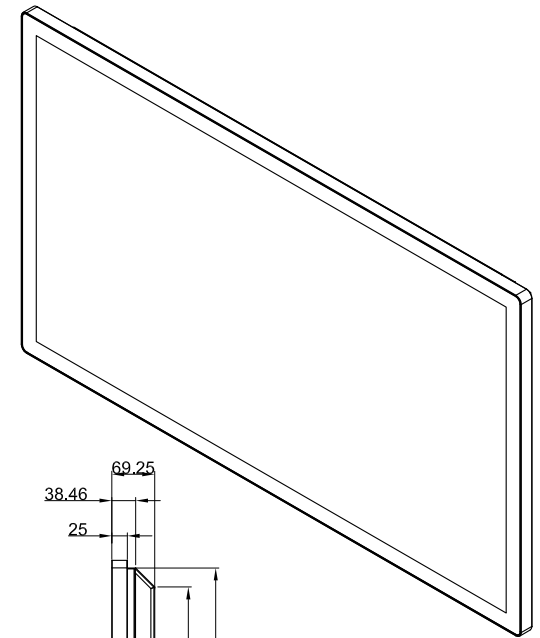
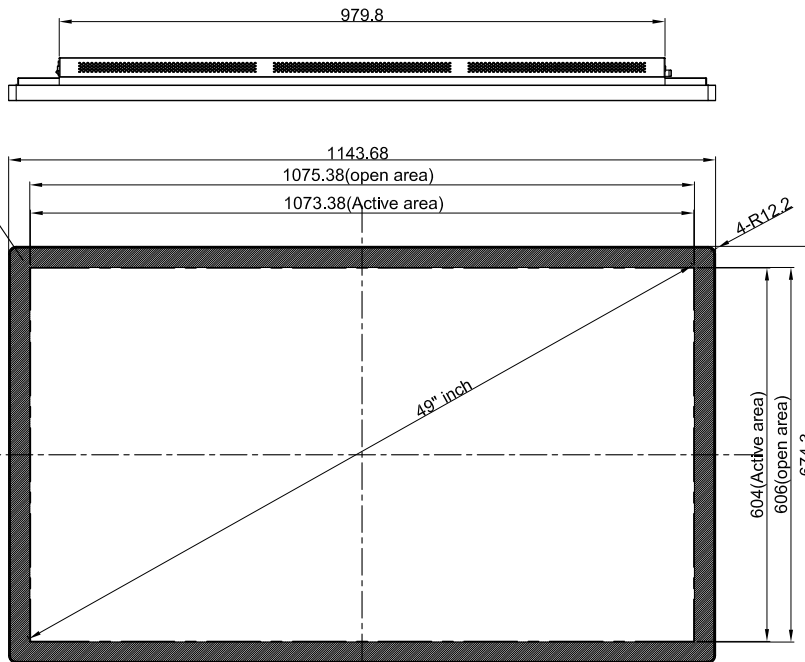
B

A

A



Black screen printing



Tolerance Table	
Dimension Range	Tolerance(mm)
Under 25 mm	0.1
25.1-100 mm	0.2
100.1-250 mm	0.4
250.1-400 mm	0.8
400.1-500 mm	1.5
500.1-630 mm	2.0
630.1-800 mm	2.5

Rev	Date	Description	By

TOLERANCING
 UNLESS OTHERWISE SPECIFIED ALL DIMS ARE mm
 .x ±0.2 RADIUS ±0.15
 .xx ±0.1 ANGLES ±0.5°
 DO NOT SCALE DRAWING

Title: 490TSG

Design:	Material: SPCC	Scale: NTS
Date: 2017.12.13		Sheet: 1 of 2
Dwg.No:	Ver: 01	THIRD ANGLE VIEW

2

1

2

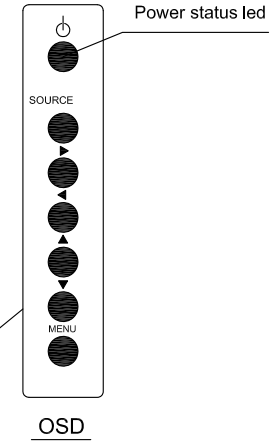
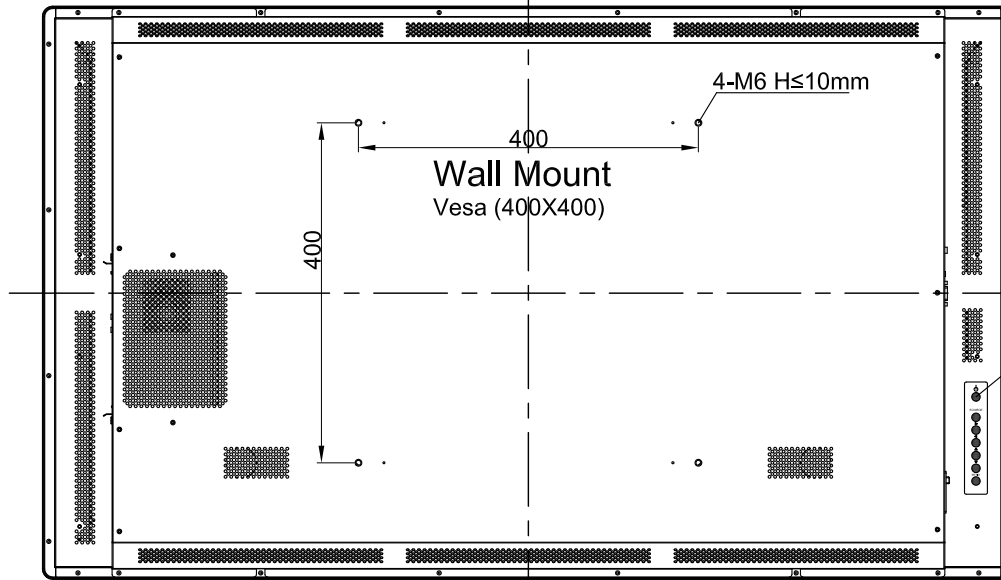
1

B

B

A

A



Tolerance Table	
Dimension Range	Tolerance(mm)
Under 25 mm	0.1
25.1-100 mm	0.2
100.1-250 mm	0.4
250.1-400 mm	0.8
400.1-500 mm	1.5
500.1-630 mm	2.0
630.1-800 mm	2.5

Rev	Date	Description	By

TOLERANCING
 UNLESS OTHERWISE SPECIFIED ALL DIMS ARE mm
 .x ±0.2 RADIUS ±0.15
 .xx ±0.1 ANGLES ±0.5°
 DO NOT SCALE DRAWING

Title: 490TSG

Design:	Material: SPCC	Scale: NTS
Date: 2017.12.13		Sheet: 2 of 2
Dwg.No:		Ver: 01
		THIRD ANGLE VIEW

2

1